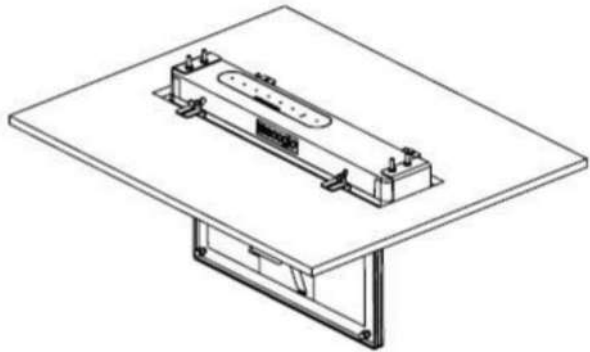
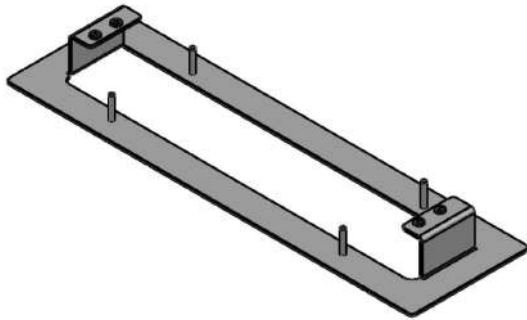


Product Data Sheet - Ceiling Recess Bracket **BR3-CR**

2023 V1



Ceiling Recess Bracket – BR3-CR

The BR3-CR ceiling recess bracket is designed for use with Ecoglo HYUx.2 and HYUx.3 hybrid signs. With all wiring, fixers and the housing itself hidden in the ceiling recess, all that remains visible is the blade style hybrid sign presenting an unobtrusive and stylish mounting option for designers.

COMPOSITION

The bracket is manufactured from steel and has a white powder coated finish.

WEIGHT

450g

DIMENSIONS

The dimensions of the bracket are 422mm x 122mm. When fully assembled the bracket extends 37.4mm into ceiling recess.

INSTALLATION

Installation needs to be carried out strictly in accordance with the Ecoglo installation instructions.

Consult Installation Instructions on website for full details.

SUPPLY

The Ceiling Recess Bracket is supplied as a kit containing all parts required to successfully install an Ecoglo hybrid sign (sold separately) in ceiling recess.



Note: Stocked item as shown here is white. Black item for use with HYUx.2.BLK or HYUx.3.BLK can be made to order.

BR3-CR.WHT White ceiling recess bracket kit
BR3-CR.BLK Black ceiling recess bracket kit

Contact

Ecoglo International Limited

Unit 3, 160 Ferry Road, Waltham, Christchurch 8011
PO Box 7698, Sydenham 8240, Christchurch, New Zealand

Phone: 03 348 3781 **Fax:** 03 343 6821

Email: info@ecoglo.com **Web:** www.ecoglo.co.nz