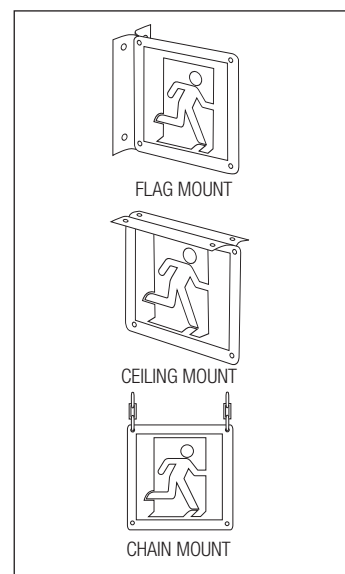


# Product Data Sheet - Pictogram Uni RM

2021 V1



SIGN FLAT ON WALL



**Ecoglo passive photoluminescent signs are designed to be used in and about buildings to identify escape routes to meet NZBC Clause F8 'Signs'.**

## SIGN DEFINITION

Exit straight on from here.

## COMPLIANCE

F8/AS1 requires photoluminescent (PL) signs to be charged with 100 lux illumination. Ecoglo passive PL 'Pictogram Uni' signs can be used to meet F8/AS1, or can be used in alternative solutions.

*Note: For buildings where the fire safety design has been carried out using C/VM2, sometimes the specific design may not be compatible with passive photoluminescent signage.*

*We recommend using Ecoglo Hybrid signs in those situations.*

## PERFORMANCE

**For indoor use,** this sign is ideal in well lit occupied spaces of small - medium buildings such as schools, early childcare centres, and factory or warehouse units. If there is doubt whether the charging light is suitable, we recommend using an Ecoglo Hybrid internally illuminated photoluminescent sign instead.

**For outdoor use,** this sign can be used for all buildings including locations set back up to 3 metres inside a canopy.

*Note: When installed in locations exposed to UV radiation, the outdoor coated version should be used to protect the printing on the sign.*

**Operating Temperature Range:** -20°C to +40°C\*

\* For controlled environment (constant temperature) rooms below 0°C contact Ecoglo.

**UV Resistance** - Loss of luminance after 1000 hrs ASTM G-155 Cycle 1 exposure: <10%: Pass

**Salt Spray Resistance** - ASTM B117: Pass

**Washability** - ASTM D4828: Pass

**Rate of Burning** - ASTM D635: Pass

**Surface Flammability** - ASTM E162: Pass

**Toxicity** - Bombardier Toxic Gas Generation Test SMP800-C: Pass

**Radioactivity** - ASTM D3648: Pass

**High Temperature Curing**: Pass

## COMPOSITION

The high visibility flat panel is manufactured from 5005 0.9mm aluminium sheet. Custom made photoluminescent pigments are embedded in thermoset polyester carriers to integrally bond the active ingredients onto the aluminium sheet following curing at high temperature.



## INSTALLATION

Standard signs and outdoor signs are supplied with fixers for mounting flat on a wall. Brackets for ceiling or flag mounting are also available.

## ORDERING

The sign is available in 2 sizes with maximum viewing distances of 16 and 24 metres.

PRODUCT CODE	PRODUCT	SIGN SIZE	MAXIMUM VIEWING DISTANCE
<b>Standard Signs</b>			
S20-RM1616UN-16m	Pictogram Uni	162mm x 162mm	16 metres
S20-RM2323UN-24m	Pictogram Uni	230mm x 230mm	24 metres
<b>Outdoor Coated Signs</b>			
S20-RM1616CUN-16m	Pictogram Uni	162mm x 162mm	16 metres
S20-RM2323CUN-24m	Pictogram Uni	230mm x 230mm	24 metres
<b>Mounting Brackets</b>			
BR1-162	Ceiling Mount Bracket for S20-RM1616UN-16m signs		
BR1-230	Ceiling Mount Bracket for S20-RM2323UN-24m signs		
BR1-162	Flag Mount Bracket for S20-RM1616UN-16m signs		
BR1-230	Flag Mount Bracket for S20-RM2323UN-24m signs		

*Chain suspension is also available.*

## Contact

### Ecoglo International Limited

77 Kingsley St, Sydenham 8023

PO Box 7698, Sydenham 8240, Christchurch, New Zealand

**Phone:** 03 348 3781 **Fax:** 03 343 6821

**Email:** info@ecoglo.com **Web:** www.ecoglo.co.nz