

Installation Instructions For

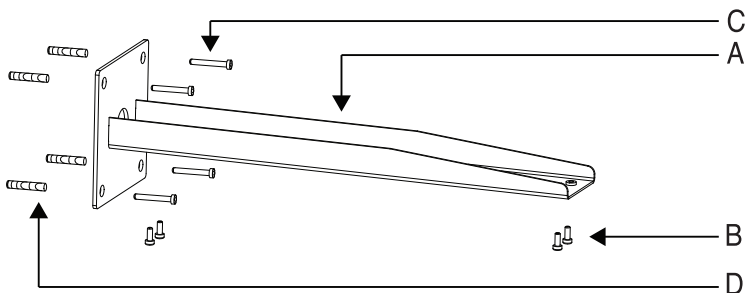
BR3-FM Bracket

Flag Mounted HYUX.2



Check all Parts are Present

Please contact Ecoglo if parts are missing or damaged.



PART	DESCRIPTION	QTY
A	Flag Bracket	1
B	M4x10 Screw	4
C	8Gx32 Screw	4
D	Nylon Wall Plug	4

Ecoglo Australia

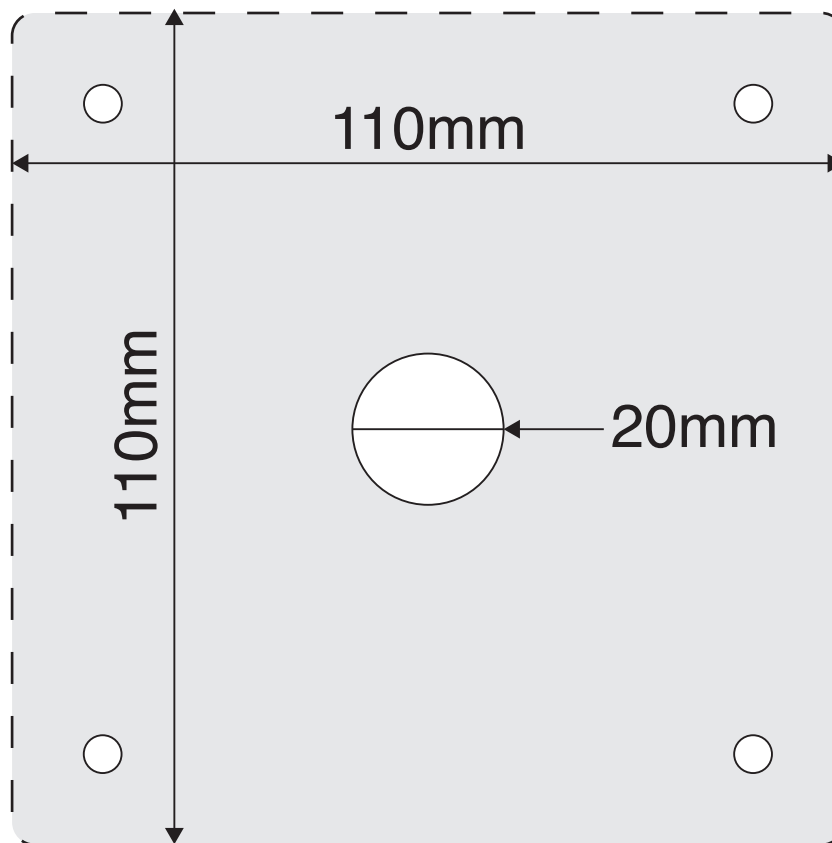
Email: info@ecoglo.com
Ph: +61 3 8691 5288
www.ecoglo.com.au

Ecoglo New Zealand

Email: info@ecoglo.com
Ph: +64 3 348 3781
www.ecoglo.co.nz

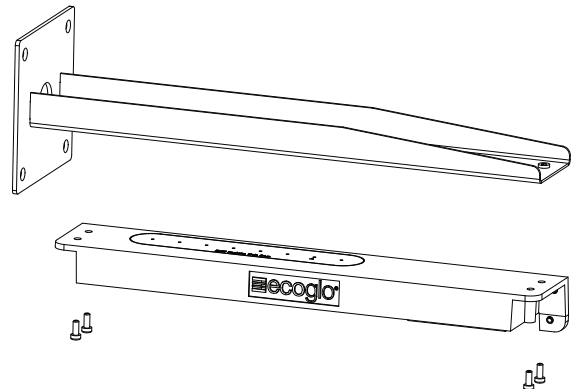
CUT OUT TEMPLATE

Scale 1:1



Prepare the Bracket for Installation

- Cut out the template above and remove the centre hole out of the template.
- Locate the centre hole over the cable protruding from the wall.
- Drill the 4 outer holes with a 6mm bit.
- Remove the template.
- Insert the nylon wall plugs into each hole.
- Feed the electrical cable through the centre hole of the bracket and offer the bracket up to the wall.
- Insert screws through the bracket into each hole and tighten hand tight.
- Place the self adhesive dots over the fitted screws to hide the screw heads.



Fastening the Sign to the Bracket

- Check the top housing of the sign is orientated correctly and push it up into the bracket.
- Fasten the top housing to the bracket with the 4 included M4x10 machine screws.
- Now that the bracket and top housing is secure the blade assembly can be re-installed.

Note: Only manual screwdrivers should be used.

